



**Safety Cover  
Measuring & Installation  
Instructions**

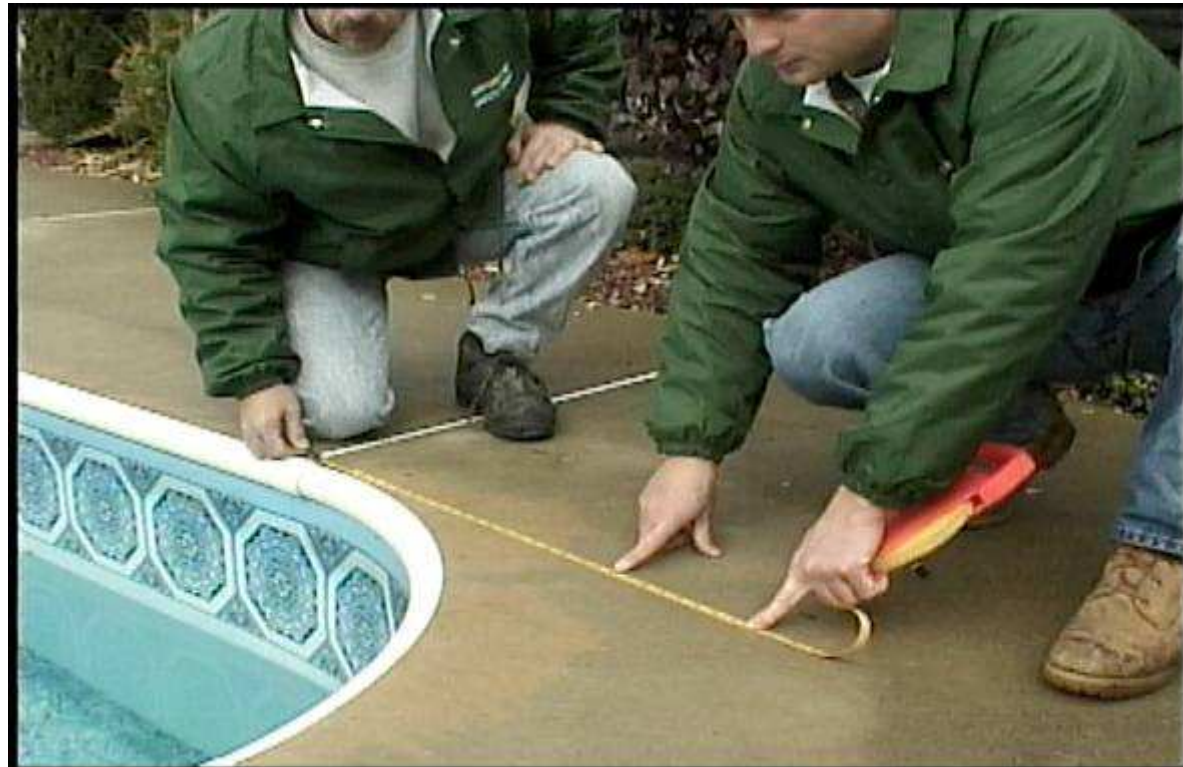
# Measuring A Rectangle

- First measure the length of the pool.
- Then measure the width of the pool.



# Measuring A Rectangle

- Now measure the corners



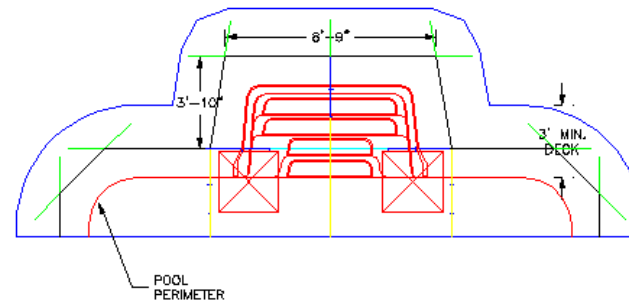
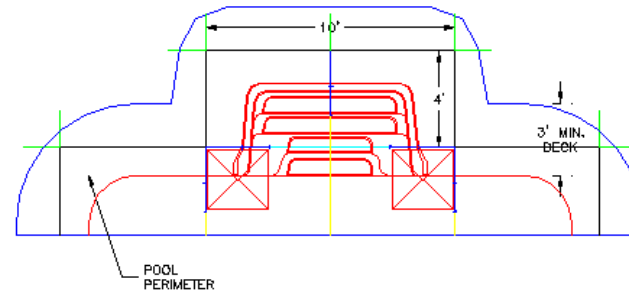
# Measuring A Rectangle

- Then measure the length and width of the step



# Measuring A Rectangle

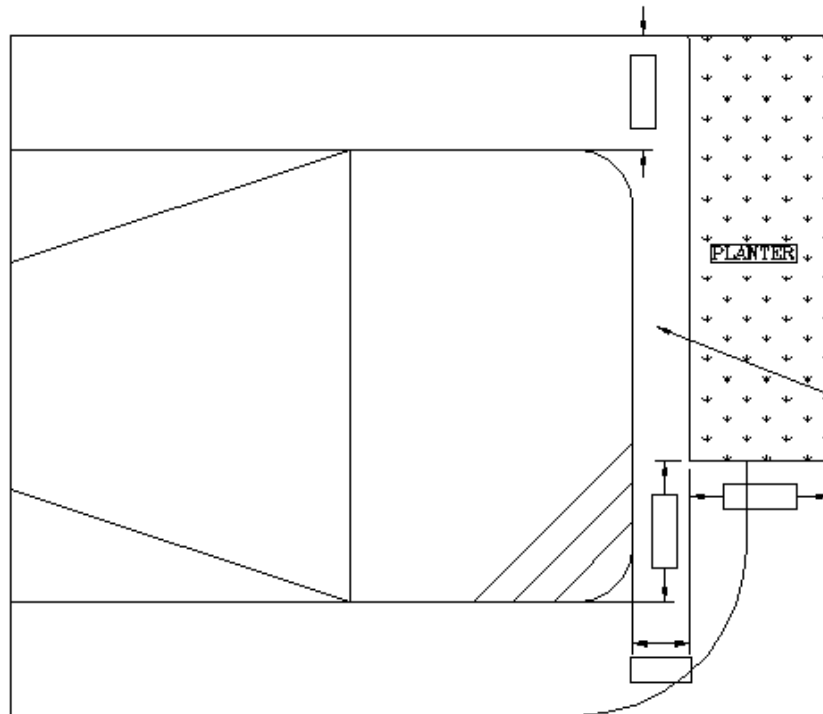
- Deck / Chopped Corners?



# Measuring A Rectangle

- Locate and identify any obstructions
  - Waterfalls
  - Raised walls
  - Rock walls
  - Non removable ladder, step rails
  - Non removable diving board
  - Planter areas

# Measuring A Rectangle

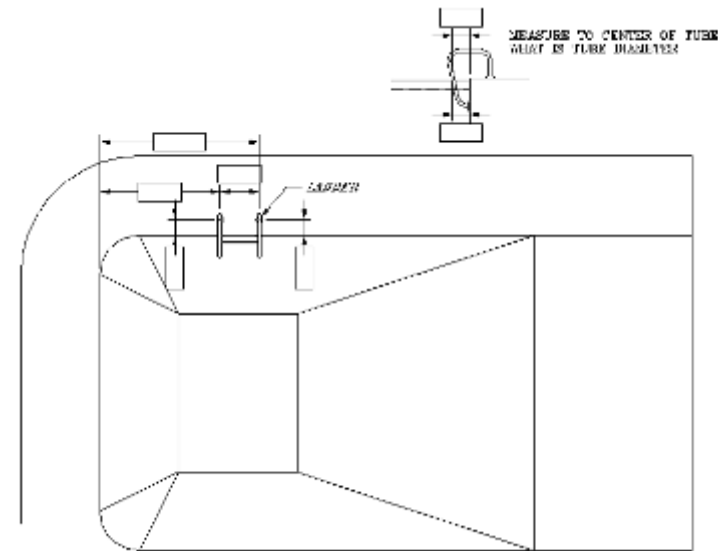
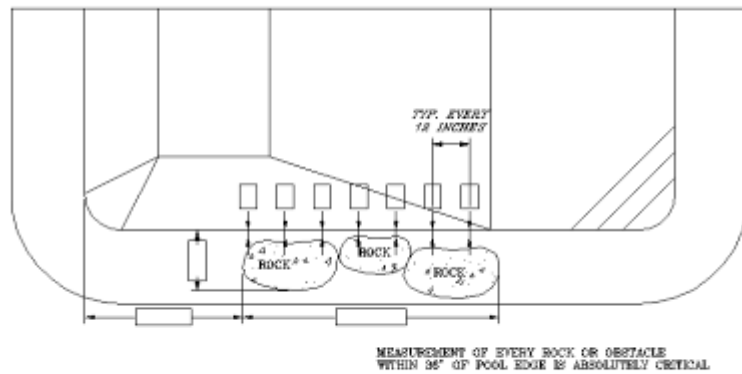


**FYI**

IF AREA BETWEEN PLANTER AND  
POOL EDGE IS NOT EVEN  
(Parallel), PROVIDE DIMENSIONS  
EVERY 12" APART.

# Measuring A Rectangle

MEASUREMENT OF EVERY ROCK OR OBSTACLE WITH 36" OF POOL EDGE IS ABSOLUTELY CRITICAL.



MEASURE TO CENTER OF TUBE ON LADDER, AND NOTE WHAT THE TUBE DIAMETER IS.



# Techniques For Measuring A Freeform

## Measuring A Freeform

- Establish reference points A & B, then measure distance between the two



# Measuring A Freeform

- Mark pool perimeter every 3'



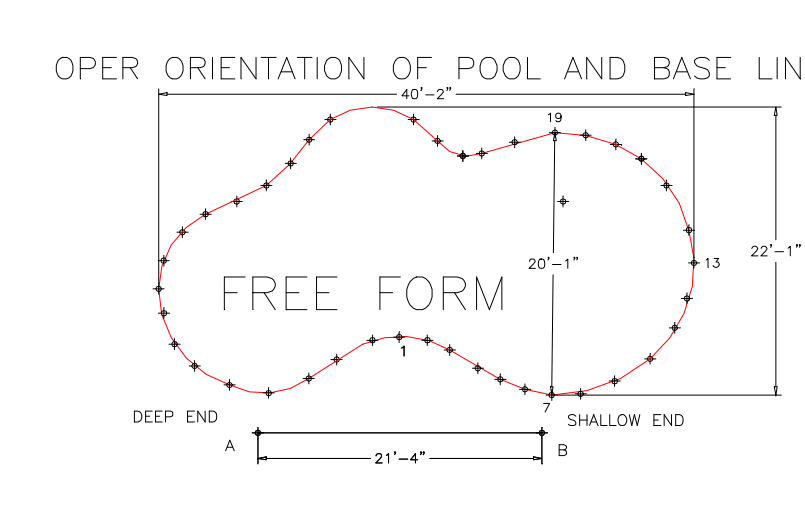
# Measuring A Freeform

- Record distance: Distance from A to point and distance from B to point.



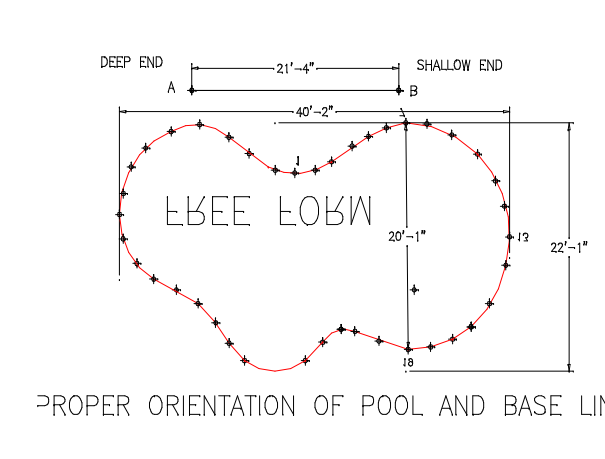
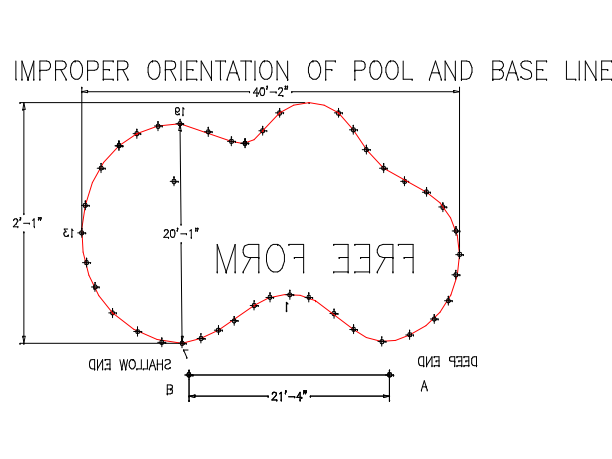
# Measuring A Freeform

- A & B must be located on supplied drawing with the distance between them.



# Measuring A Freeform

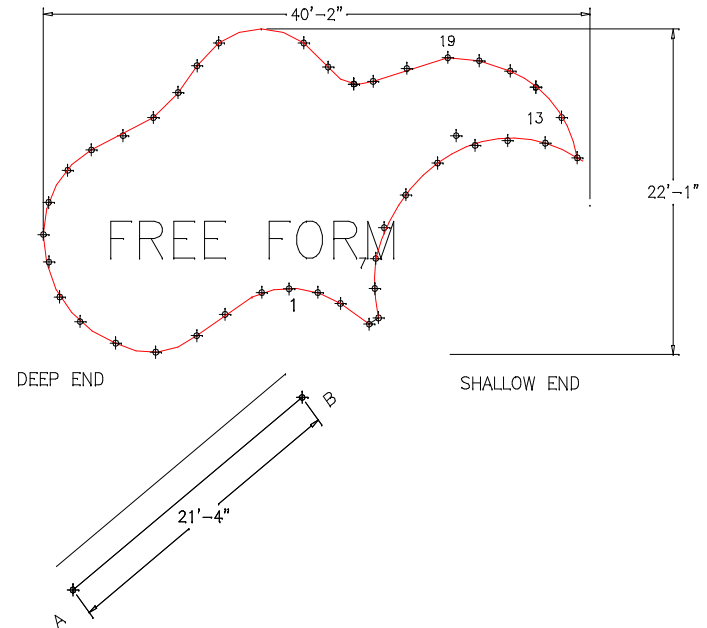
- What happens if A & B are reversed or Flipped.



# Measuring A Freeform

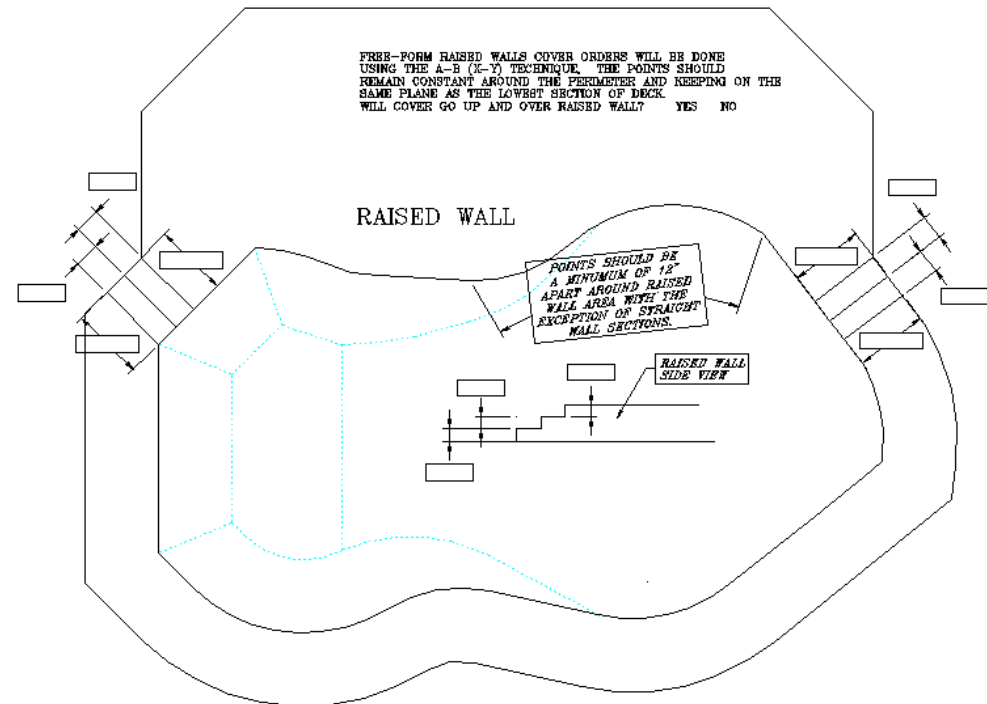
- What happens if A & B fade in toward pool

PROPER ORIENTATION OF POOL AND BASE LINE



# Measuring A Freeform

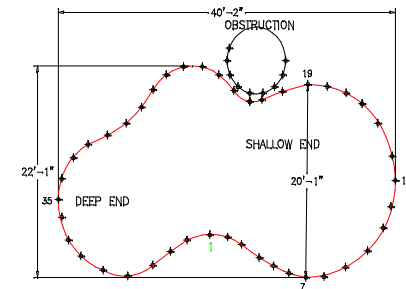
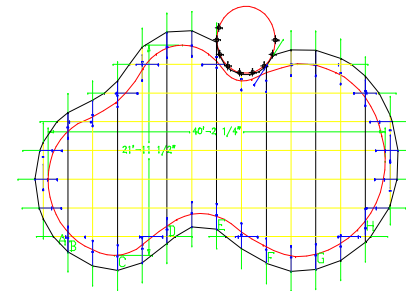
- How to locate a raised wall.





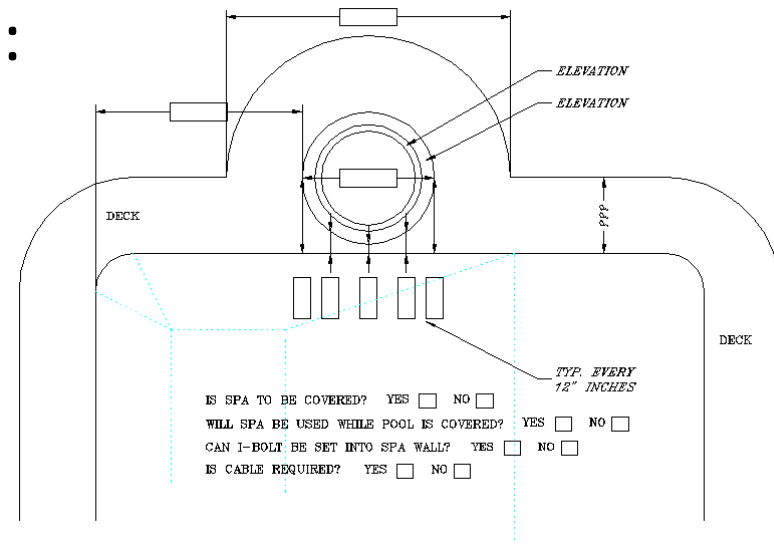
# Measuring A Freeform

- Any and All obstructions must be located using A & B point to point.
  - NOTE: IN EVERY CASE POSSIBLE PICTURES SHOULD BE SUPPLIED.



# Measuring A Freeform

- For a raised spa, locate using:
  - A&B points
  - Height above the deck
  - Radius to the outside of the spa



# Safety Cover Installation



# Installation

- Remove any and all obstructions that were not accounted for in cover design and manufacture.
  - Ladders
  - Slides
  - Diving boards

# Installation

- If a slide or diving board cannot be removed insure that Y strap is used.



# Installation

- Mark center of pool ends.



# Installation

- Place cover on pool deck.



# Installation

- Spread cover out over pool.





# Installation

- Measure overlap on each side of pool



# Installation

- Calculate anchor distance from pool edge.



# Installation

- Strike chalk lines on sides and ends where anchors are to be set.



# Installation

- Work from center strap alternating from side to side, transfer strap location to deck



# Installation

- Drill anchor holes at each strap point.  
DO NOT DRILL CORNERS



# Installation

- Vacuum holes: To remove dust to ensure depth is open to set anchors.



# Installation

- Lube threads



# Installation

- Set anchors





# Installation

- Attach spring to strap using buckle or D ring depending the type of spring ordered.



# Installation

- Use Installation Rod to install all springs to anchors



# Installation

- Attach springs to the anchors as follows
  - A. Start at center of the end of the pool, and work toward the corners. Repeat on other side

DO NOT  
ATTACH  
CORNERS



# Installation

- Attach springs to the anchors as follows
  - B. Start at center of pool side, and work toward corners. Repeat on other side  
DO NOT ATTACH CORNERS



# Installation

- Attach Step anchors
- Attach Corner anchors



# Installation

- Attach Corner anchors



# Installation

- Corner anchors
  - Drill anchor holes at the strap point.
  - Vacuum holes.
  - Set anchors
  - Lube threads

